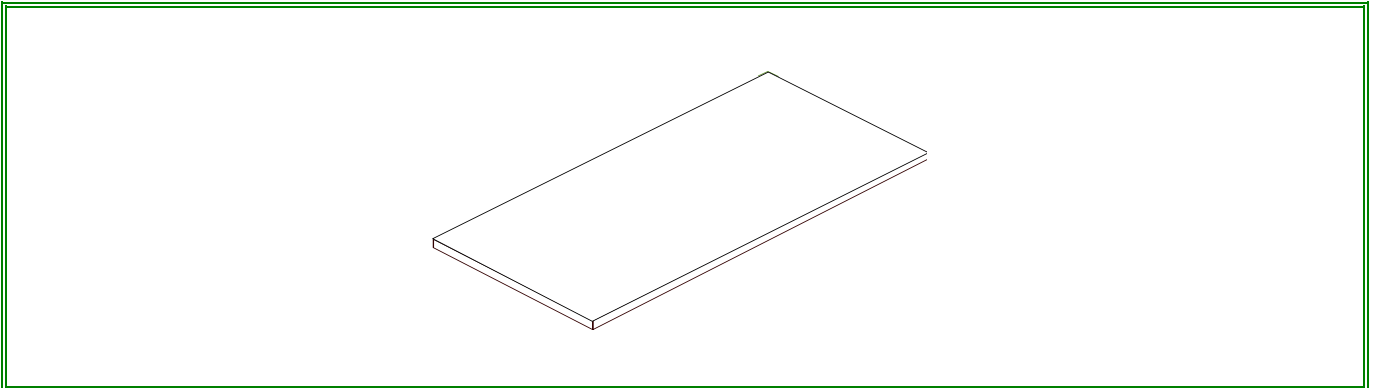


BELTEX NE04/10 B CONVEYOR BELT

Code 702E



Most popular application:

Paper industry, graphic arts, printing industry.

BELT STRUCTURE

Description	Conveying surface	Traction core	Friction coating
Material	Polyurethane	---	Polyurethane
Finishing	Extra Fine fabric	---	Fine fabric
Colour	White	---	White
Friction coefficient on iron	0,45	---	0,45

TECHNICAL CHARACTERISTICS

Load for 4% [N/mm]	1,6	Breaking load [daN/cm ²]	550	Working Temperature [°C]	-20÷+90
Thickness[mm]	1,3	Production width [mm]	800	Diameter [mm]	10
Antistaticity	No	Mass [kg/m ²]	1,3	Splicing method	FS

SPLICING PARAMETERS

Kind of splicing	F.S.	Dimensions [mm]	35x12	Press temperature [°C]	156	Pressing time. [min]
------------------	------	-----------------	-------	------------------------	-----	----------------------

The data in this data sheet were measured at a temperature of +20° C and a relative humidity of 65 to 70%. Above data are subjected to change without prior notice by Sampla Belting Spa.