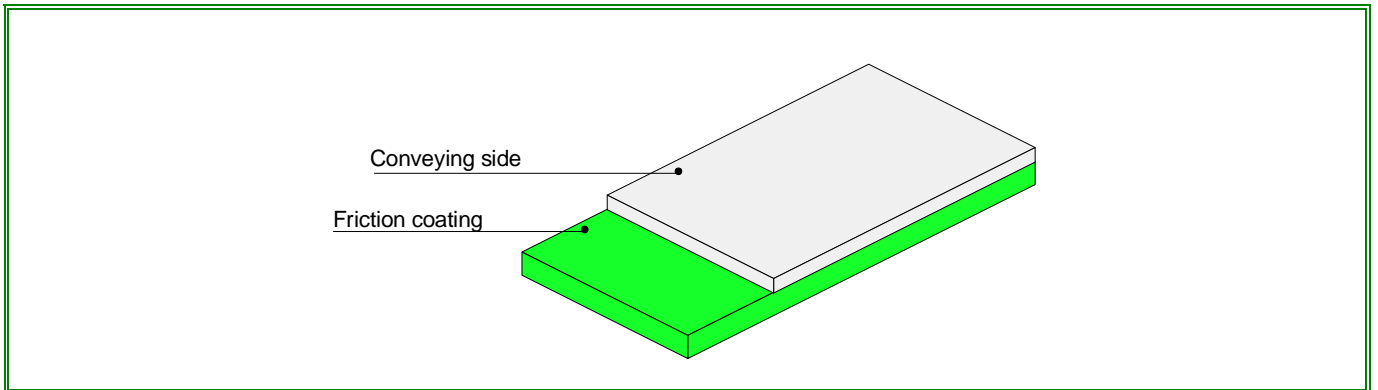


BELTEX MX50/09 CONVEYOR BELT

Code 7805



Most popular application:

Flat conveying belt. Paper converting, graphic arts, binderies, magnetic conveyors, packaging.

BELT STRUCTURE

Description	Conveying surface	Traction core	Friction coating
Material	---	PA sheet	PA fabric
Finishing	---	Smooth	Impregnation
Colour	---	Transparent	Green
Friction coefficient on iron	---	0,20	0,25

TECHNICAL CHARACTERISTICS

Load for 1% [N/mm]	5	Breaking load [N/mm]	196	Working Temperature [°C]	-20 ÷ 100
Thickness[mm]	0,9	Production width [mm]	500	Diameter [mm]	30
Antistaticity	Yes	Mass [kg/m ²]	0,9	Splicing method	Skiving

SPLICING PARAMETERS

Kind of kiving	A	Skiving length [mm]	15÷20	Press temperature [°C]	90	Pressing time [min]	10
----------------	---	---------------------	-------	------------------------	----	---------------------	----

The data in this data sheet were measured at a temperature of +20° C and a relative humidity of 65 to 70%. Above data are subjected to change without prior notice by Sampla Belting Spa.