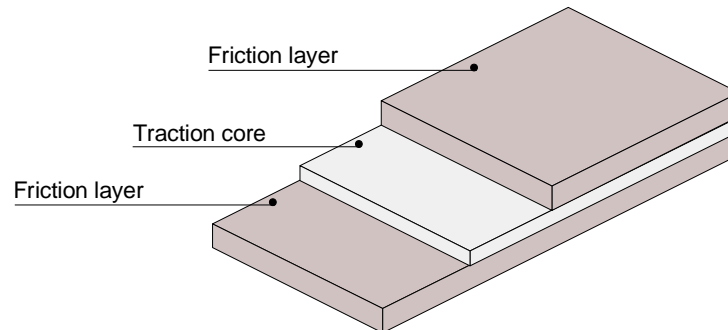


## BELTEX L100/50 TRANSMISSION BELT

Code 7110



### Most popular applications:

Power transmission belts for flour mills, paper mills, textile industry, mechanical industry. Suitable for power transmission on both faces.

### BELT STRUCTURE

Description	Protection cover	Traction core	Friction coating
Material	Leather	PA sheet	Leather
Finishing	Buffed	---	Buffed
Colour	Gray	Transparent	Gray
Friction coefficient on iron	0,4	---	0,4

### TECHNICAL CHARACTERISTICS

Load for 1% [N/mm]	10,0	Breaking load [N/mm]	395	Working Temperature [°C]	-30 ÷ 80
Thickness [mm]	5,0	Production width [mm]	500	Min. diameter [mm]	100
Antistaticity	No	Mass [kg/m <sup>2</sup> ]	5.1	Splicing method	Skiving

### SPLICING PARAMETERS

Kind of kiving	C	Skiving length [mm]	90 ÷ 95	Press temperature [°C]	90	Pressing time [min]	40
----------------	---	---------------------	---------	------------------------	----	---------------------	----

The data in this data sheet were measured at a temperature of +20° C and a relative humidity of 65 to 70%. Above data are subjected to change without prior notice by Sampla Belting Spa.